

**Key Features
& Advantages**

- » Built for lower maintenance, longer life, and less weight than comparable fans
- » Direct ceiling suspension
- » Easily adaptable where overhead installations/obstructions otherwise prohibit the use of track-mounted cleaning systems
- » Cleaning radius of up to 35–40 feet (varies depending on application and obstructions)
- » Designed to operate 24/7/365
- » Easy to maintain
- » Simple dismantling for repair or adjustment of drive unit and housing
- » Castings, motor, fan, and shroud mount constructed of lightweight materials for easy installation and maintenance
- » Optional short support design for low ceiling applications
- » A high temperature (60°C) version is also available in 60 Hz, 3 phase models
- » 100% factory tested
- » Made in the USA

#1 Choice in Overhead Cleaning

—Lower Cleaning Costs for Overhead Accumulation of Lint, Dust & Fly

Bahnson Mechanical Systems is a major facility services provider offering a broad range of HVAC and full mechanical services to virtually every market segment for 100+ years.

The BahnsonAire overhead fan, made in the U.S., is the innovative result of 50+ years of operating experience and is the #1 choice of textile, laundry facilities, paper, and other industries which need to prevent the accumulation of lint and dust on ceilings, overhead beams, lights, ducts, and pipes.



**Building
Environments
Beyond
Expectations**

**HOW IT'S MADE MATTERS.
LIGHT. DURABLE. BUILT TO LAST.**

- » Made in the USA
- » Molded polymer housing and propeller fan
- » Fan motor completely enclosed, air over type
- » Rotating and oscillating movement by special gear motor
- » Steel support tube design attaches unit to ceiling structure

**FULL COVERAGE CLEANING ACTION.
CUSTOMIZED TO CLIENTS' NEEDS.**

- » Rotates a full 360 degrees as fan oscillates from 5 degrees below a horizontal position upward to 75 degrees while discharging cleaning air blasts
- » Optional 120 degree oscillation available to clean 50 degrees below horizontal upward to 70 degrees
- » Other custom oscillation ranges available upon request
- » Can be adapted to various roof structures

**SPOT CLEANING
OR SPECIFIC AREA CLEANING.**

The BahnsenAire can be field adjusted for the degree of oscillation required within its 80-degree angle coverage. The fan's rotation feature can be set to blow for 360 degrees (standard) or can be limited to any angle of rotation with an optional reversing kit.

**EASY TO USE.
EASY TO INSTALL.**

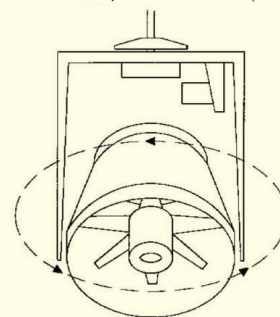
The BahnsenAire overhead cleaner can be adapted to various roof structures and incorporates a single point power connection. An optional reversing kit can also be applied to limit coverage as needed.



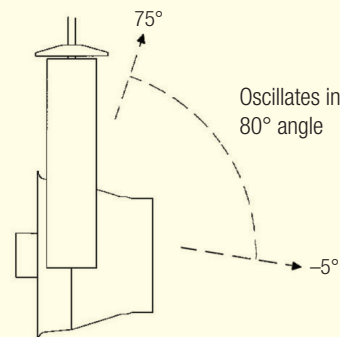
Available for single phase and three phase power connection.

Available voltages:

- » 115 volt, 60 hertz (½ HP)
- » 230 volt, 60 hertz (½ HP)
- » 220 volt, 3 phase, 60 hertz (1 HP)
- » 460 volt, 3 phase, 60 hertz (1 HP)
- » 575 volt, 3 phase, 60 hertz (1 HP)
- » 380 volt, 3 phase, 50 hertz (1 HP)



BahnsenAire cleaner rotates full 360°



Oscillates in 80° angle

How Can We Help You?

Bahnsen Mechanical Systems

4731 Commercial Park Court, Clemmons, NC 27012

T 336.760.3111 F 336.760.1548 | beyond@bahnsen.com www.bahnsenms.com



Bahnsen
Mechanical Systems
An EMCOR Company